

IgPS

Integrated Plumbing Structure



About IgPS

IgPS is a factory manufactured, modular, welded steel framing system. Consisting of 4 base frames and a single telescopically adjustable top frame, it provides an easily installed, strong framework for duct panelling and the associated sanitaryware and fittings. It is particularly suitable as a frame to support wall hung WCs, while also providing a skeleton structure for panels and flashgaps.

The panels, manufactured and supplied by others, are secured to the IgPS framework with bespoke nylon clips that provide either lift on/off accessibility or push/pull with an optional hinged detail is also available.

The bespoke nylon clips allow the use of various thickness of flashgap: 18mm melamine faced chipboard, 12mm compact grade laminate for wet areas and 0mm for building into walls or for use with bathroom furniture.

Each modular unit is pre-assembled and boxed. The compact size of each unit makes for easy palletisation and with that simple distribution to and around site.

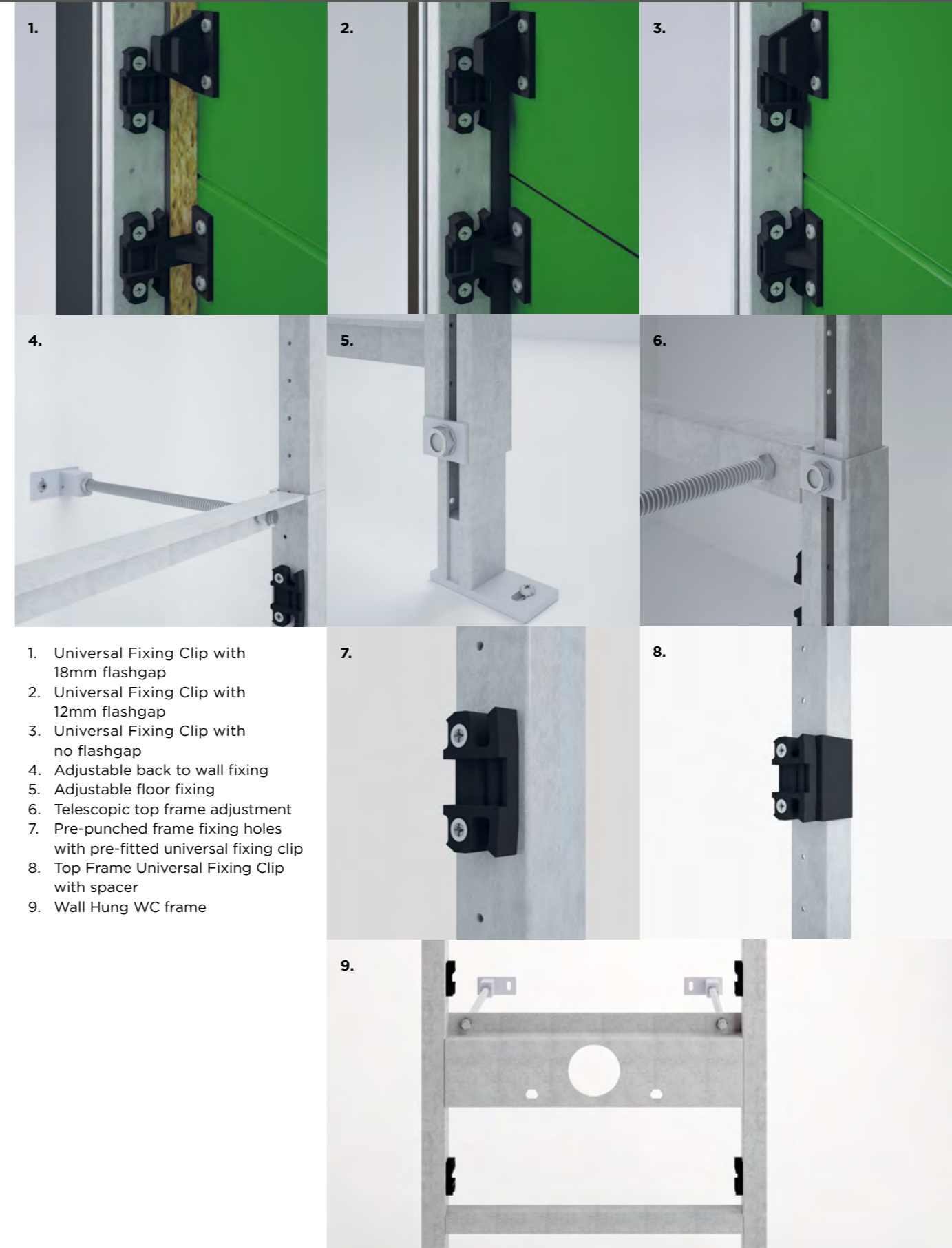
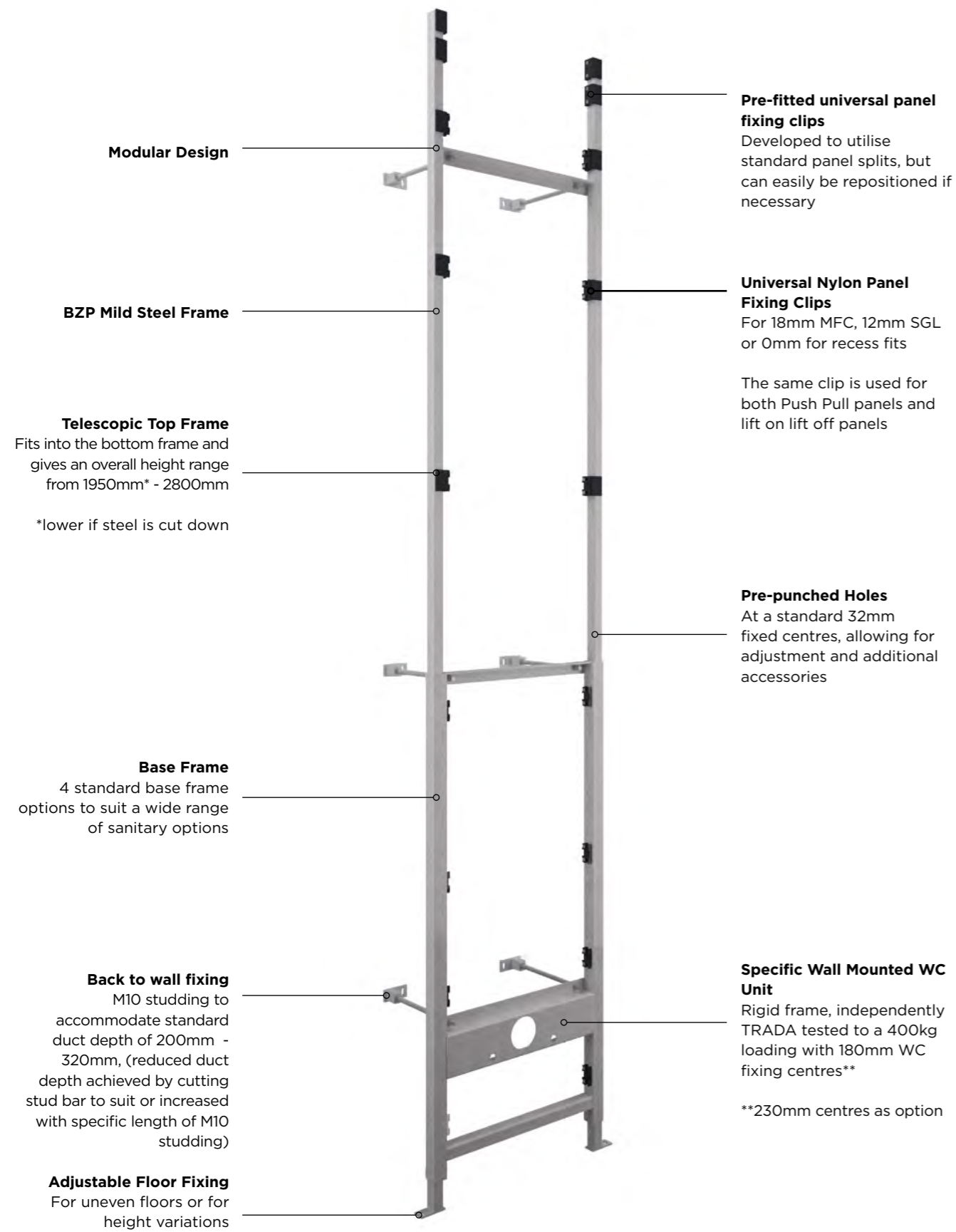
IgPS frames have been developed to accommodate a wide range of sanitary ware options including wall hung WCs, back to wall WCs, washbasins, urinals, vanity units and plain panelling.

Equally suitable for new build or refurbishment, commercial or domestic, the modular design of IgPS allows its use in all areas.

Suspended or fixed ceilings, low level with shelf or recessed into wall structures, these have all been considered when developing IgPS.



Key Features



The Core Range



Unit A

For use with Wall Hung WCs
(180mm WC fixing centres as standard, 230mm centres as option)
Suitable for height of 1200 - 1250mm or 1950 - 2800mm (with unit D)
Frame Size: 1200/ 1250mm x 500mm
Duct Depth: 200mm - 320mm
Packaging Size:
1200mm x 600mm x 80mm x 10kg
Pallet Size (20 Units):
1200mm x 1200mm x 800mm x 200kg

Unit B

For use with Wall Hung WCs
(180mm WC fixing centres as standard, 230mm centres as option)
Suitable for height:
(Furniture only) 785mm high
Frame Size: 785/ 835mm x 500mm
Duct Depth: 200mm - 320mm
Packaging Size:
760mm x 560mm x 80mm x 7kg
Pallet Size (20 Units):
1200mm x 1200mm x 800mm x 140kg

Unit C1

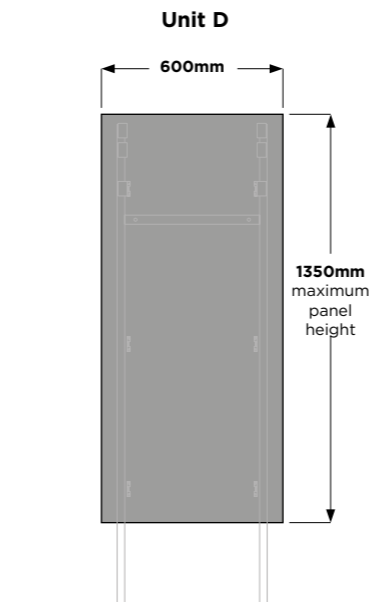
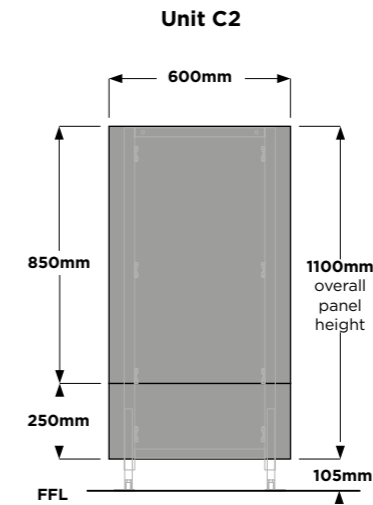
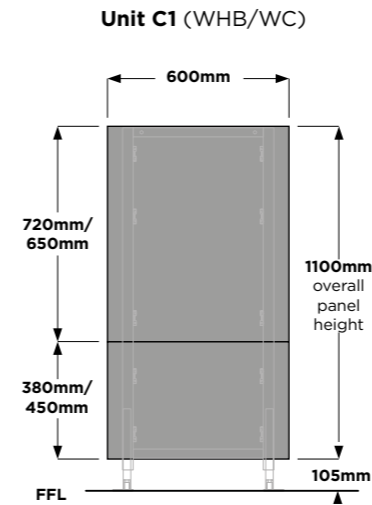
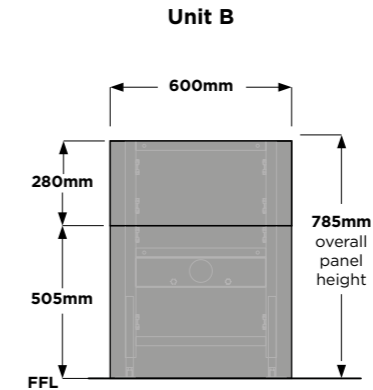
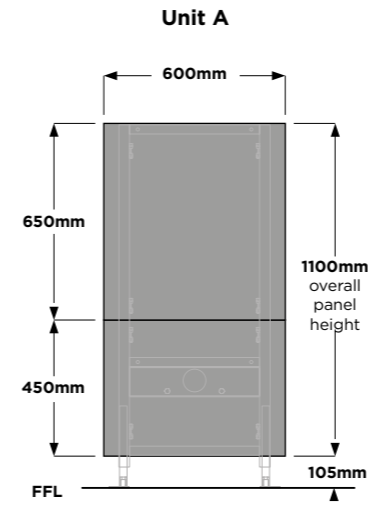
For use with Back to Wall WCs, Plain Panels, Washbasins and Vanity Units
Suitable for height of 1200 - 1250mm or 1950 - 2800mm (with unit D)
Frame Size: 1200/ 1250mm x 500mm
Duct Depth: 200mm - 320mm
Packaging Size:
1200mm x 600mm x 80mm x 6kg
Pallet Size (20 Units):
1200mm x 1200mm x 800mm x 120kg

Unit C2

For use with Urinals
Suitable for height of 1200 - 1250mm or 1950 - 2800mm (with unit D)
Frame Size: 1200/ 1250mm x 500mm
Duct Depth: 200mm - 320mm
Packaging Size:
1200mm x 600mm x 80mm x 6kg
Pallet Size (20 Units):
1200mm x 1200mm x 800mm x 120kg

Unit D

For use with unit A, C1 or C2
Suitable for height of 1950 - 2800mm
(A lower height can be achieved if steel is cut down)
Frame Size: 1675mm x 500mm
Duct Depth: 200mm - 320mm
Packaging Size:
1720mm x 560mm x 80mm x 8kg
Pallet Size (20 Units):
1720mm x 1200mm x 800mm x 160kg



Standard Panel Illustrations

Unit A

For use with Wall Hung WCs
Suitable for height of 1200 - 1250mm or 1950 - 2800mm (with unit D)

Unit B

For use with Wall Hung WCs
Suitable for height of;
Furniture only 780mm high

Unit C1

For use with Back to Wall WCs, Plain Panels, Washbasins and Vanity Units
Suitable for height of 1200 - 1250mm or 1950 - 2800mm (with unit D)

Unit C2

For use with Urinals
Suitable for height of 1200 - 1250mm or 1950 - 2800mm (with unit D)

Unit D

For use with unit A, C1 or C2
Suitable for height of 1950 - 2800mm

IgPS frames with pre-fitted universal fixing clips are based on these standard panel divisions, however clips can be relocated to suit alternative dimensions. Alternatively IgPS Core Range Units can be purchased without pre-fitted universal fixing panel clips if required.

Please Note: All panels are manufactured and supplied by others.